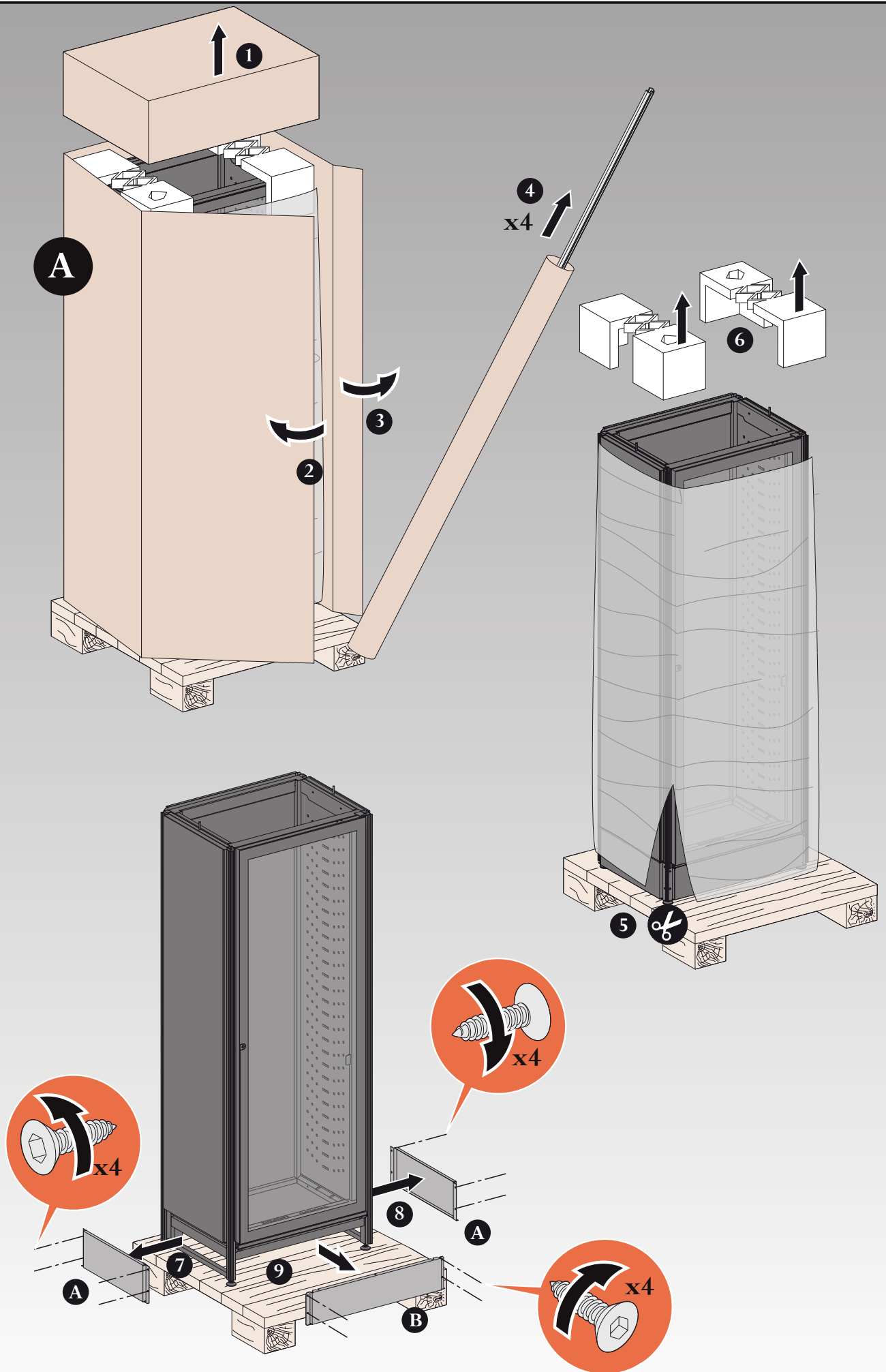
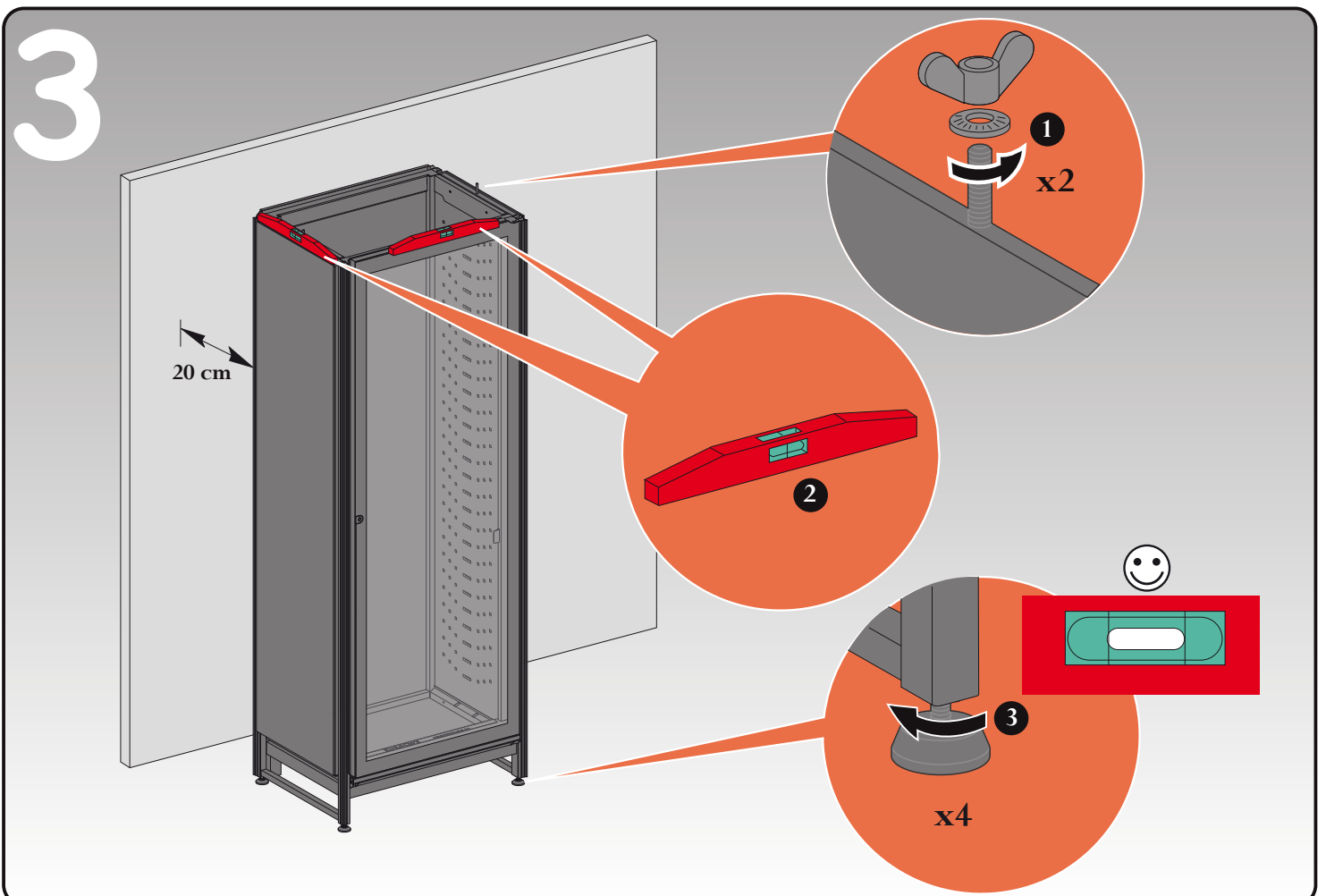
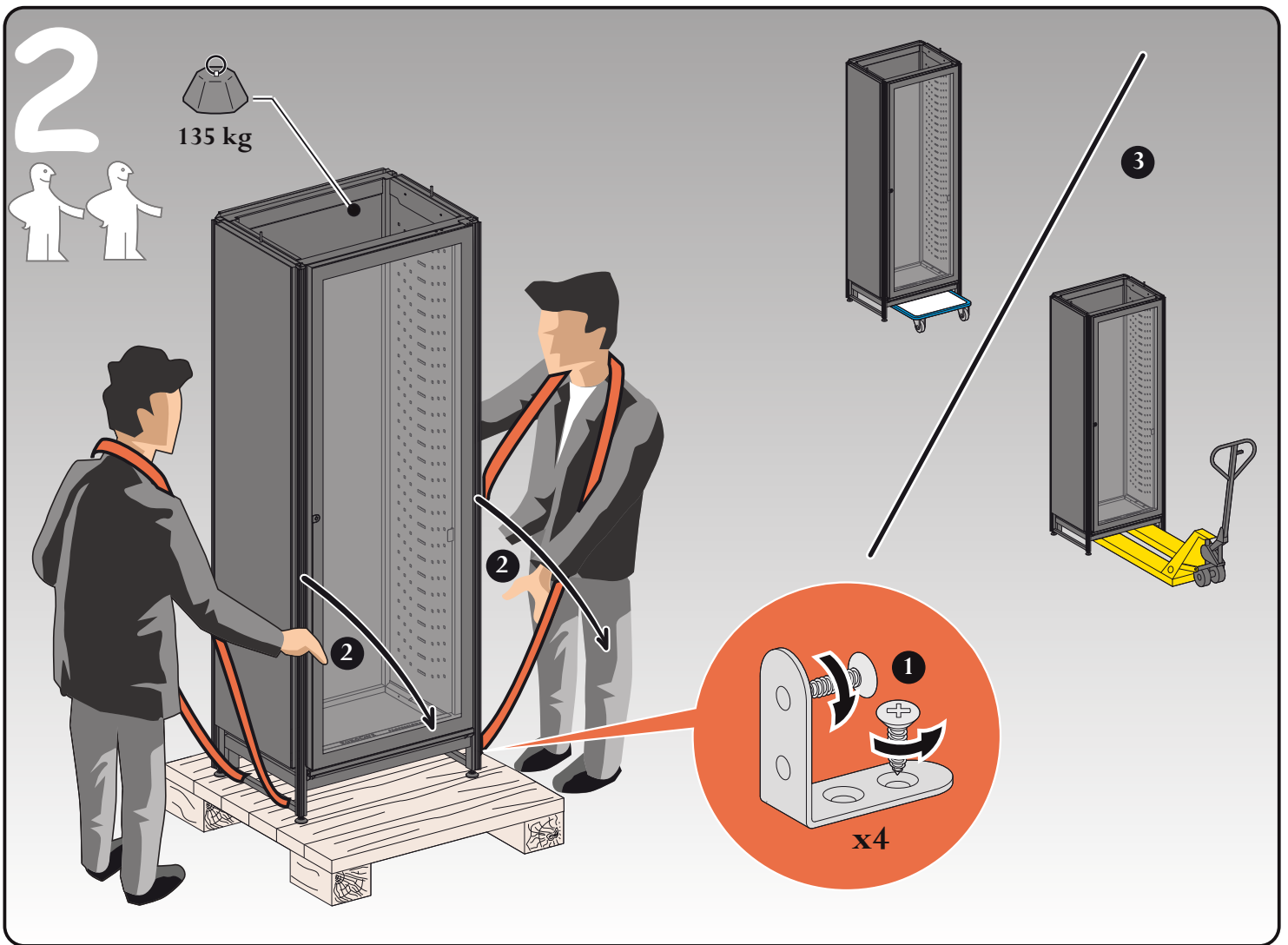


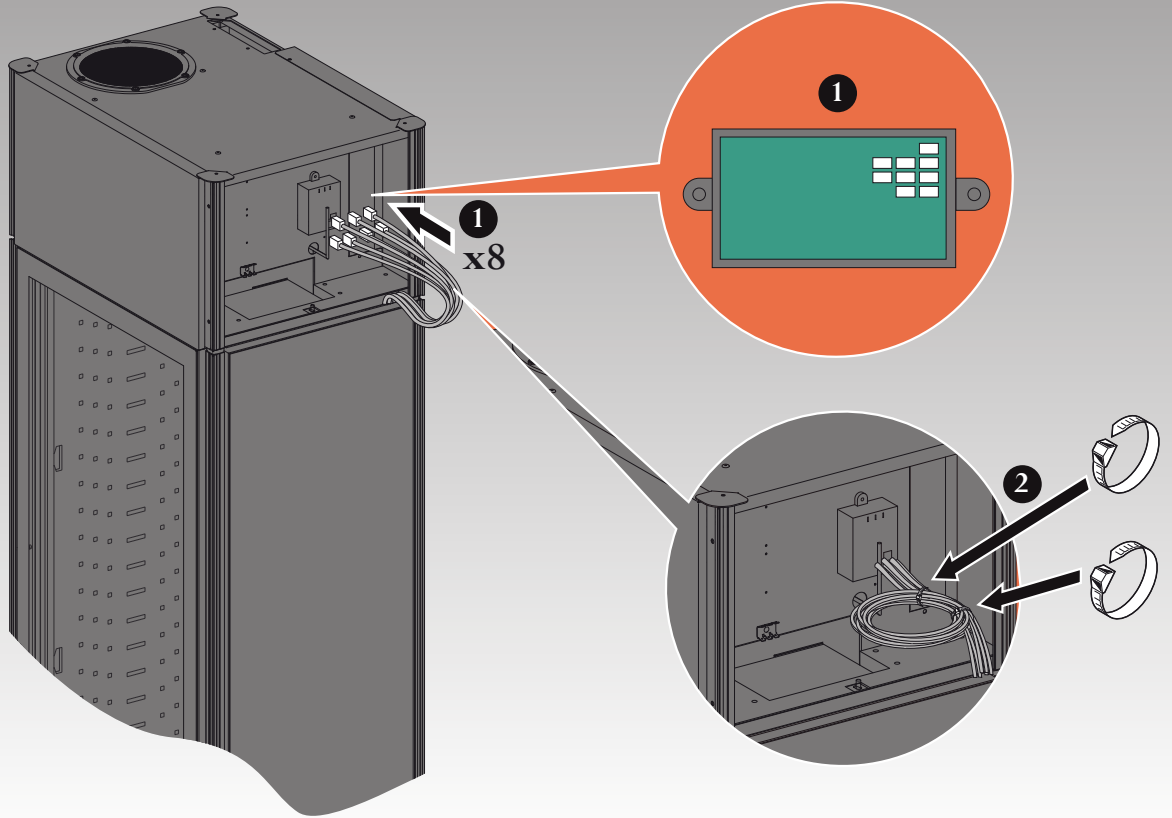
# 1



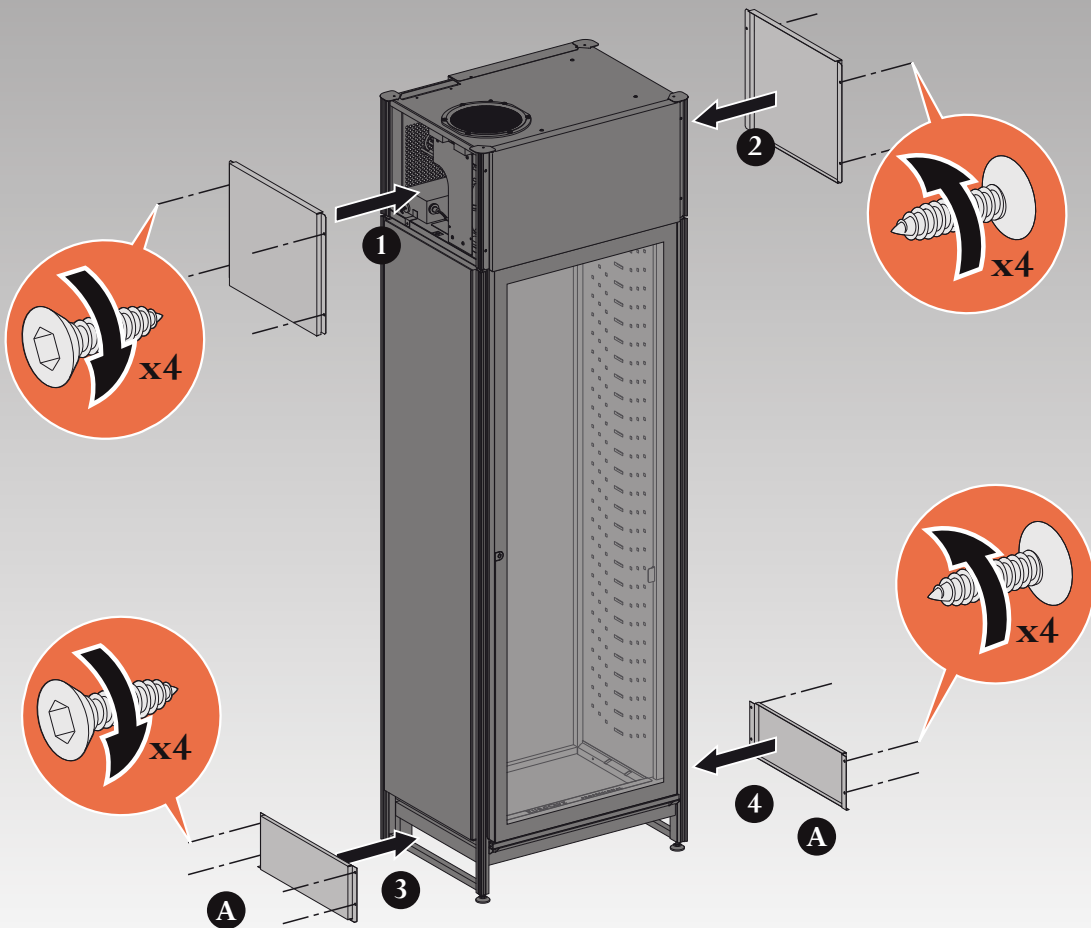




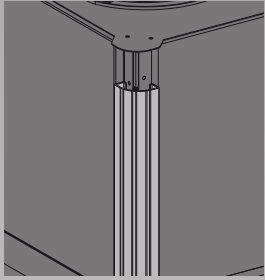
# 6



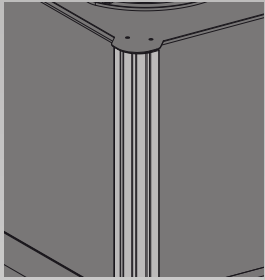
# 7



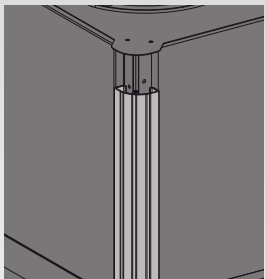
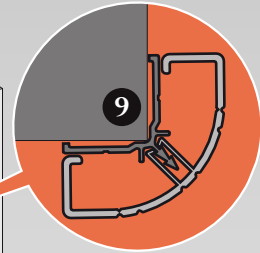
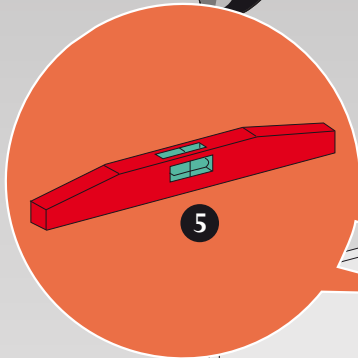
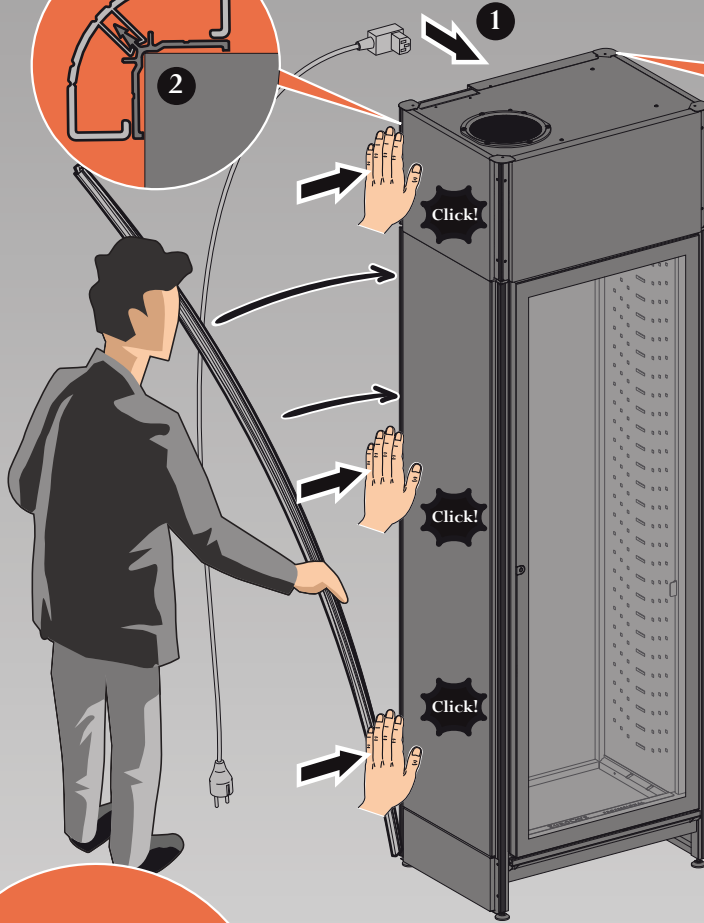
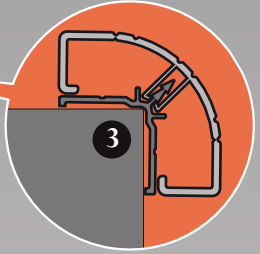
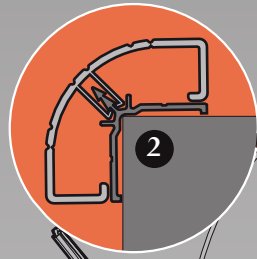
# 8



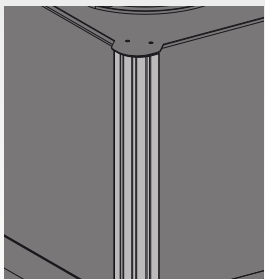
NO ❌



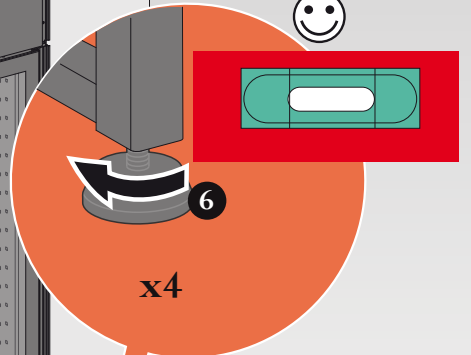
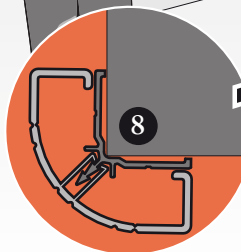
OK ✅



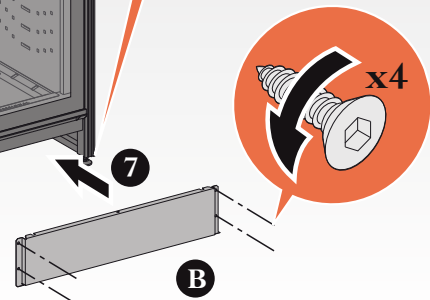
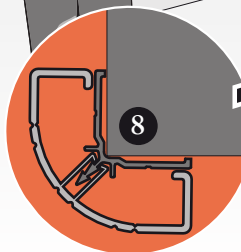
NO ❌



OK ✅

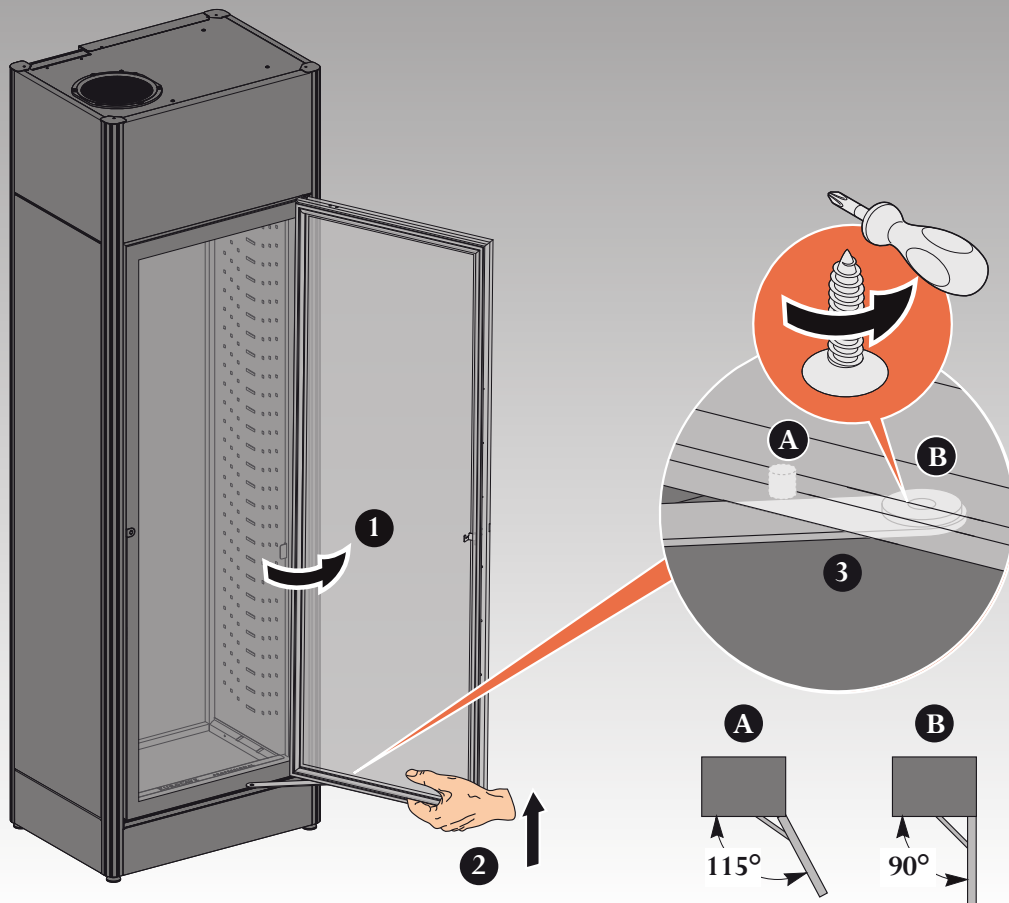


x4

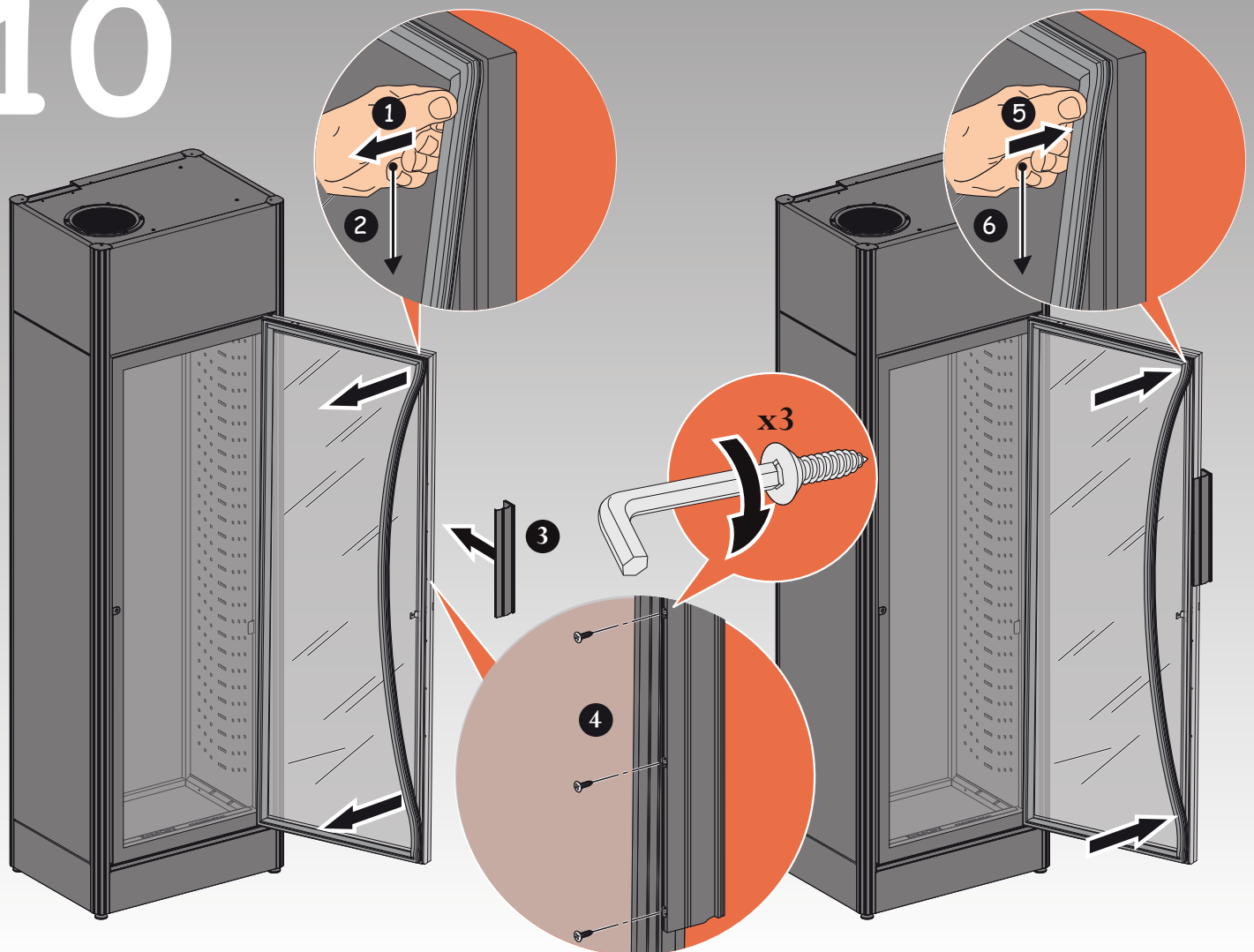


B

# 9

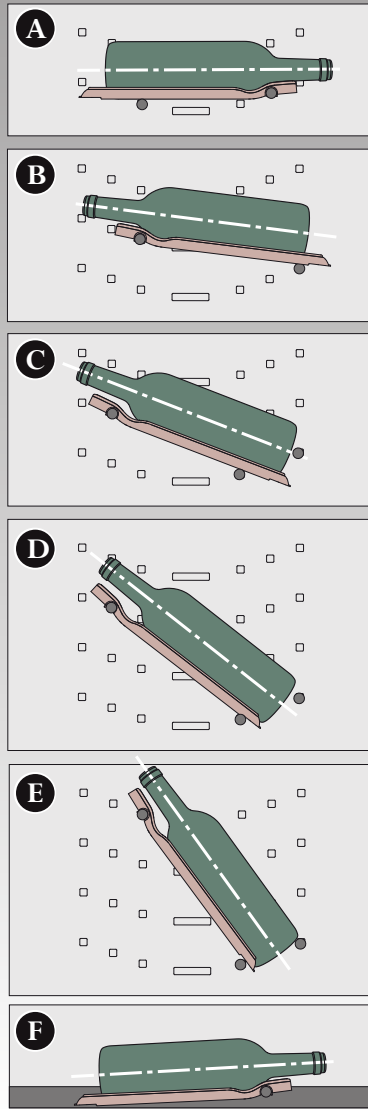
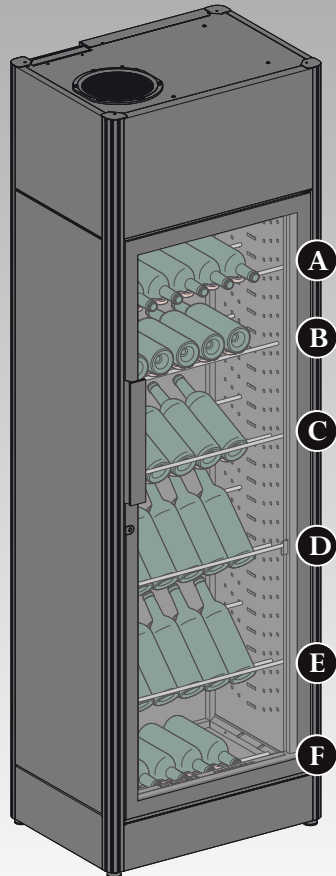


# 10





# 11



# 12

