



EUROCAVE

PROFESSIONAL

WB 2.0

Range	Wine Bar
Function	2 temperatures <i>Service</i>
Capacity	2 bottles at serving temperature

GENERAL FEATURES

Dimensions unpacked	: 491 x 315 x 268 mm (HxWxD)
Dimensions packaged	: 590 x 415 x 335 mm (HxWxD)
Dimensions door open	: 491 x 315 x 553 mm (HxWxD)
Net Weight	: 13,8 kg
Gross weight packaged	: 17.1 kg

WARRANTY

2 years

PRODUCT CHARACTERISTICS

FUNCTIONALITIES

- 2 independent compartments with preset temperatures : 8 ° C for white wines and 16 ° C for red wines. (46.4-60.8°F)
- The two compartments can receive red wines or white wines.
- Preserving bottles up to 10 days through a system of drawing exclusive vacuum (depending on the wine and its vintage)

COLD TECHNOLOGY AND INSULATION

Production of cold air	ventilated cold air Thermoelectric module
Leads (external alimentation)	CE/US/UK/JA/C6/CH/CN/ AU
Type of walls	ABS
Type of external covering	Black metal/glass/aluminum frame
Type of insulation:	expanded polystyrene
Type of glass:	Double glazing

FITTINGS & ACCESSORIES

- Full glass door with safety lock
- Interior lighting with adjustable multicolor LED (approx 50 nuances) – with remote control
- Frequency detector when lighting is on
- Thermal insulation
- Individual wine preservation
- Air extraction fault warning indicators
- Excess condensation water collected in a drawer
- Made in China

ENERGY CONSUMPTION AND PERFORMANCE

Consumption per 24hrs** (KWh)	<1
Ambient temperature operating limit	18 à 30°C (64.4-86°F)
Electrical Power (at 25°C)	81 W



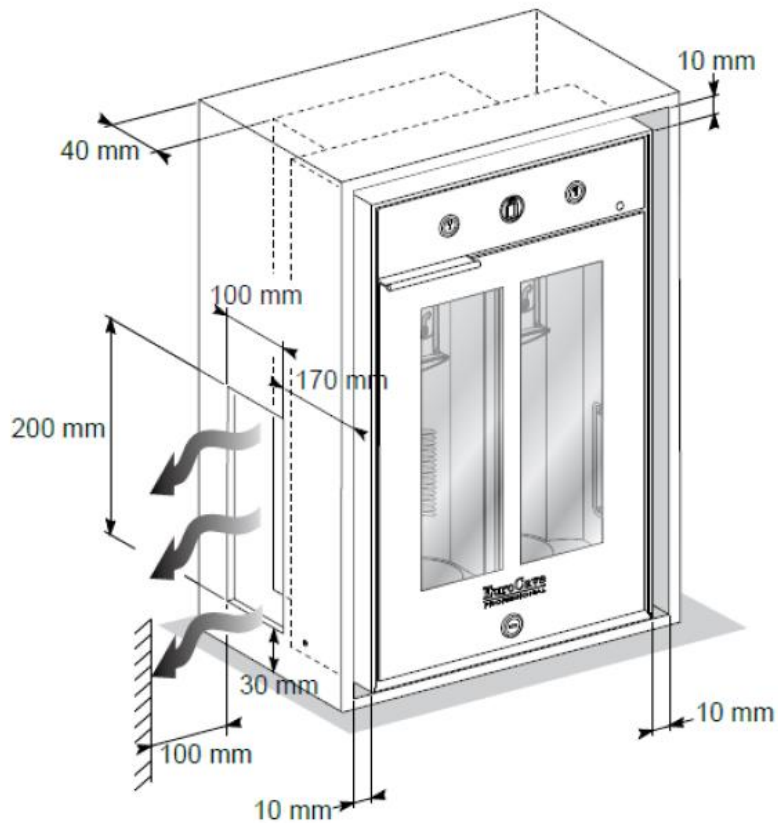
WINE { BAR 2.0



Can be flush-fitted (see requirements to be met)

<http://eurocavepro.com/>

Flush-fitting diagram



Precautions for the embedding of the Wine Bar 2.0:

- Precautions for the embedding of the Wine Bar 2.0: Leave 10 mm free around the product; 40 mm at the rear

- In front of the air vents on each side of the Wine Bar, two openings(100x200mm) are necessary to ensure proper evacuation of air and ensure the proper functioning of the product.