
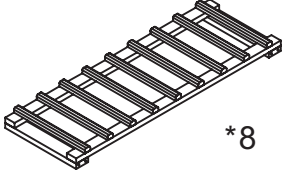



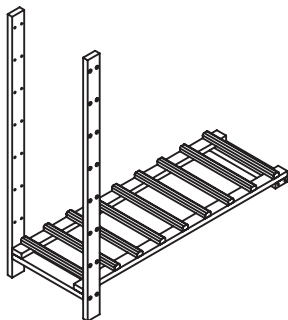


64 Bottle Wine Rack without display Assembly Instruction

Parts included

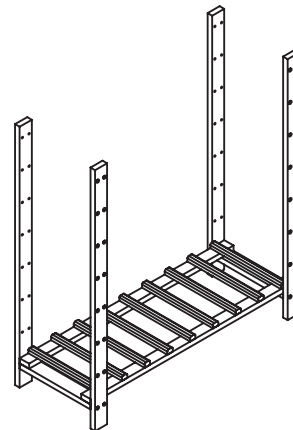
①	②	③	④	⑤
Batten	Layer board	Wood block	Wood plug	Screws
 *4	 *8	 *1	 *64	M3.5*30  *64

Step1



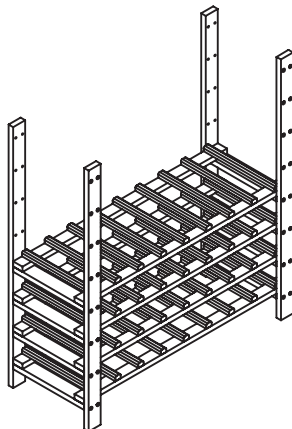
Screw two vertical battens into a layer board as shown.

Step2



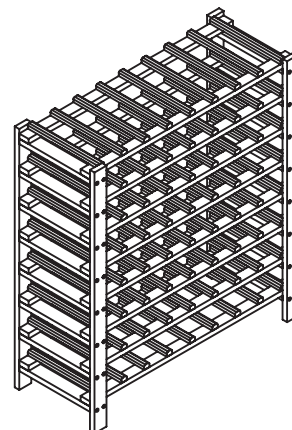
Screw the other two vertical battens into the other side of layer board as shown.

Step3



Screw the other 7 pieces of layer boards into Vertical battens one by one as shown.

Step4



When use the wood plugs to cover the pre-drilled holes with a hammer, please use the wood block to protect the surface of the wood plugs.

Important : The wood plugs are used to cover the screw holes.